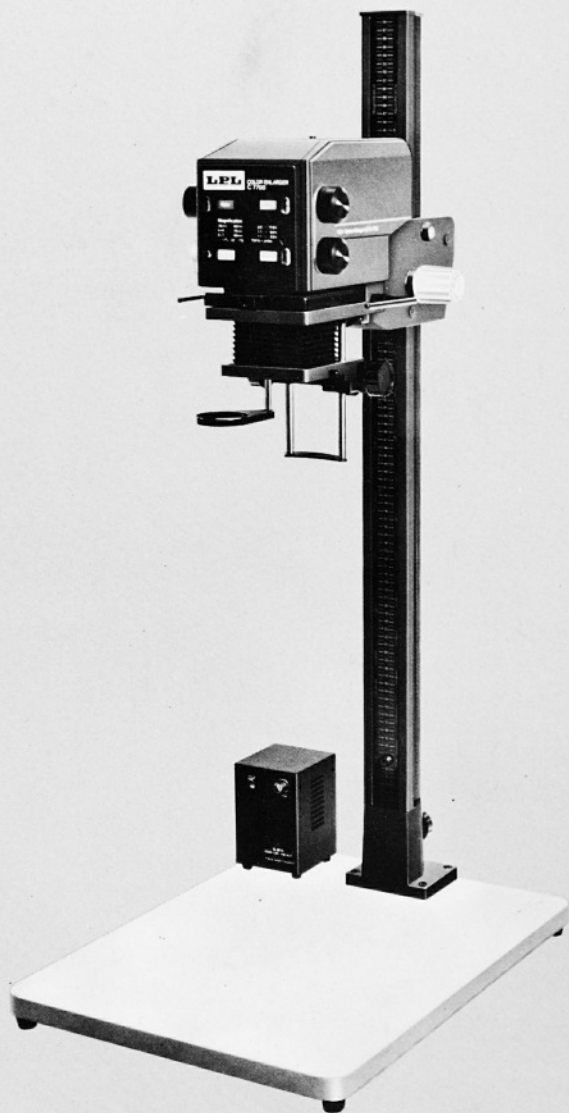


3281



# COLOR ENLARGER C7700 PRO.

OWNERS MANUAL



3281-0003

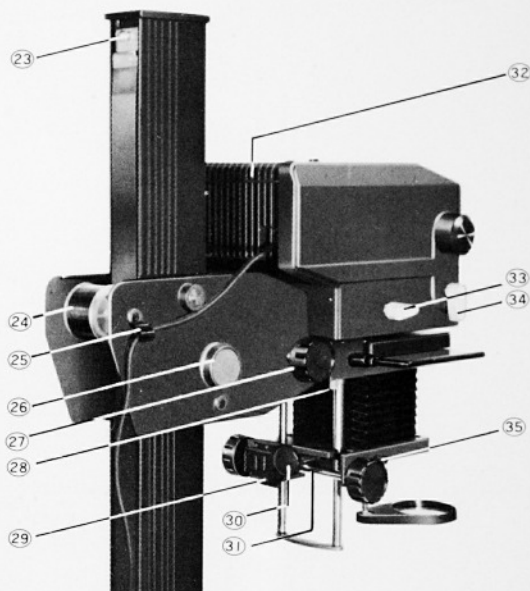
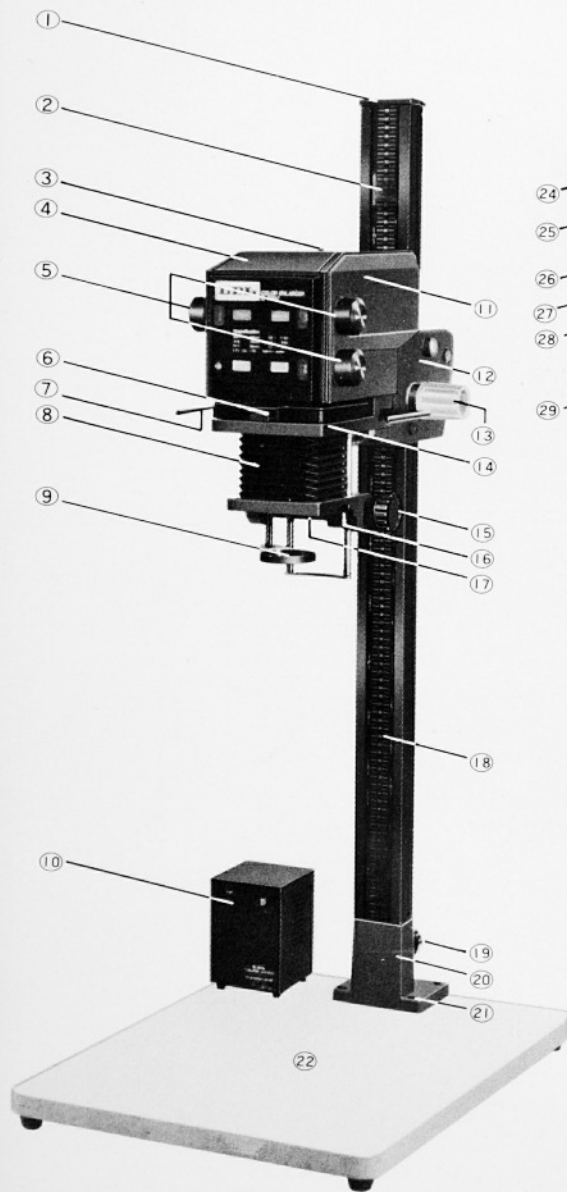
# INDEX

PAGE	CONTENTS
1	IDENTIFICATION OF PARTS
2	ASSEMBLY BLOCK-CHART
3	ASSEMBLY BLOCK-A
4	ASSEMBLY BLOCK-B
5	ASSEMBLY BLOCK-C PART 1
6	ASSEMBLY BLOCK-C PART 2
7	ASSEMBLY BLOCK-C PART 3
8	OPERATION 1
9	OPERATION 2
10	OPERATION 3
11	OPERATION 4
12	ACCESSORIES
13	ACCESSORIES

## SPECIFICATIONS

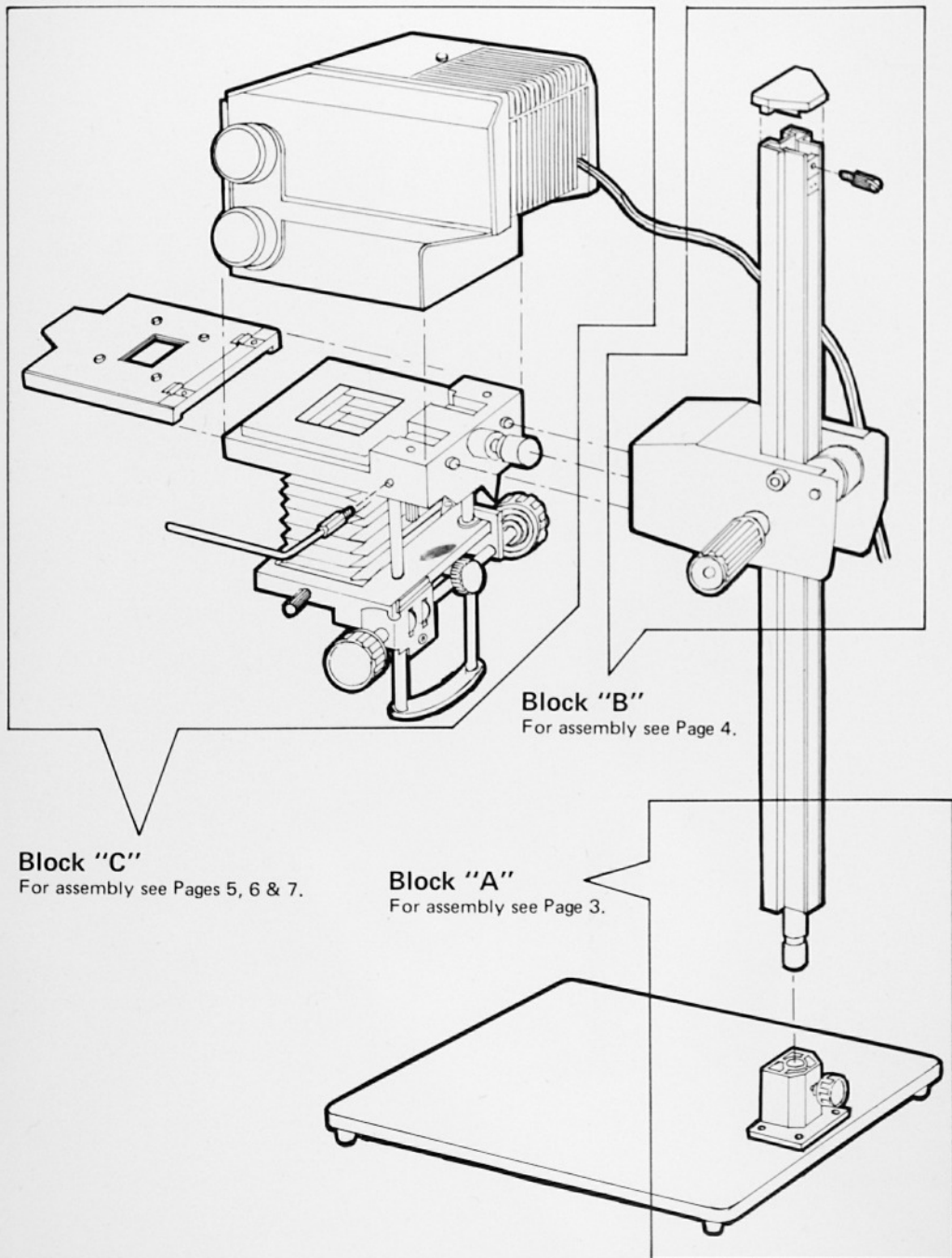
FORMAT SIZE:	6 x 7cm and smaller			
LENSMOUNT:	Removable lens mount Leica threads			
LIGHT SOURCE:	12V 100W Quarts Halogen Lamp w/dichroic mirror			
CLOUR FILTRATION:	YELLOW 0 - 200; CYAN 0 - 200; MAGENTA 0 - 165 NON-STEP CONTROL			
MAGNIFICATION:		MIN.	MAX.	
(ON BASEBOARD)	50mm lens	35mm film	2.0	17.6
	75mm lens	6 x 6 CM film	1.1	8.6
	90mm lens	6 x 6 CM film	1.1	8.6
ILLUMINATION:	DIFFUSION TYPE; MIXING CHAMBER			
POWER SUPPLY:	INPUT: 100/240V 50/60HZ OUTPUT: 12V 100VA			
DISTORTION CONTROLS:	LENSBOARD SWING; SHIFT			
NEGATIVE CARRIER:	VARIABLE SIZE, GLASS PLATES METAL INSERTS ALSO AVAILABLE			
OFF BASEBOARD PROJECTION:	FLOOR PROJECTION			
SIZE AND WEIGHT:	BASEBOARD 45CM x 60CM COLUMN HEIGHT 110CM WEIGHT 16.2KG			

# IDENTIFICATION OF PARTS

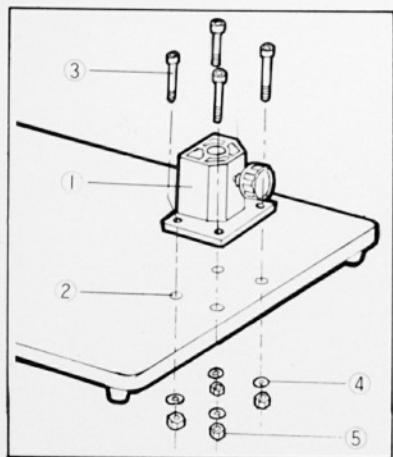


NO.	PARTS
1.	Column Top
2.	Magnification Scale
3.	Lamphouse Top Screw
4.	Top Front Panel
5.	Filtration Controls
6.	Negative Carrier
7.	Film Hangers
8.	Bellows
9.	Red Filters
10.	Power Supply
11.	Colour Head Assembly
12.	Carriage
13.	Elevation Control
14.	Negative Stage
15.	Focusing Control
16.	Lensboard Screw
17.	Lensboard
18.	Column
19.	Column Fixing Knob
20.	Column Bracket
21.	Column Bracket Fixing Bolts
22.	Baseboard
23.	Counter-Balance Spring Screw
24.	Counter-Balance Spring
25.	Wire Clip
26.	Elevation Control Receptacle
27.	Head-Assembly Fixing Knob
28.	Lamphouse Fixing Screws
29.	Friction Control Screw
30.	Lens-Stage Release Knob
31.	Focus-Control Shaft Bracket
32.	Top Rear Panel
33.	Negative Carrier Holding Lever
34.	Filter Release Lever
35.	Red-Filter Holder Screw

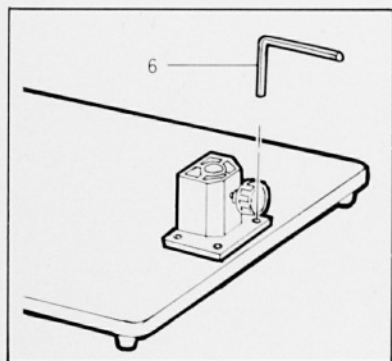
# ASSEMBLY BLOCK CHART



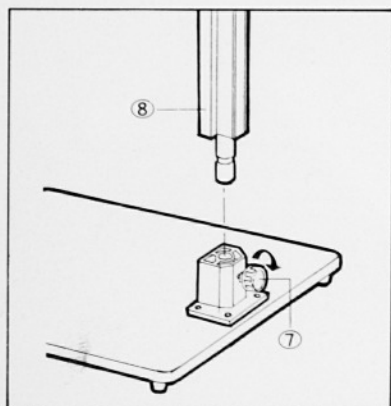
## BLOCK "A" Assembly



1. Place Column Bracket (1) on the baseboard with the holes matching as shown. Put Column Bracket Fixing Bolts through the bracket and baseboard. Put the washers and nuts from back of the baseboard.

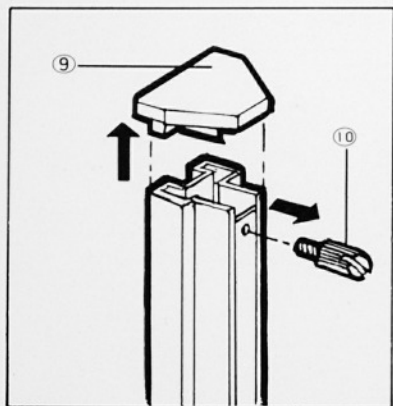


2. Tighten the bolts with an Allen wrench (6) supplied with enlarger.

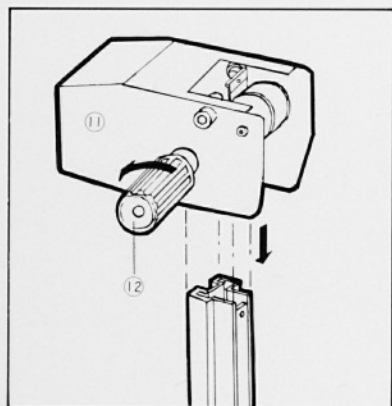


3. Loosen Column Fixing Knob (7). Put Column (8) as shown and tighten the knob again.

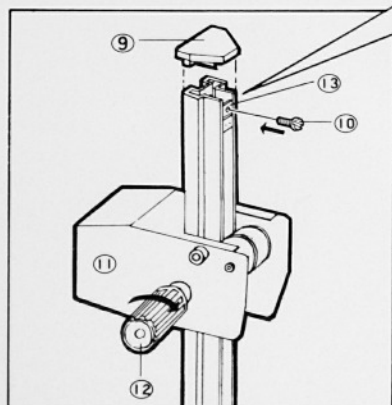
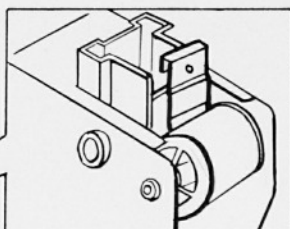
## BLOCK "B" ASSEMBLY



4. Remove Column Top (9) and Counter-Balance Spring Screw (10).

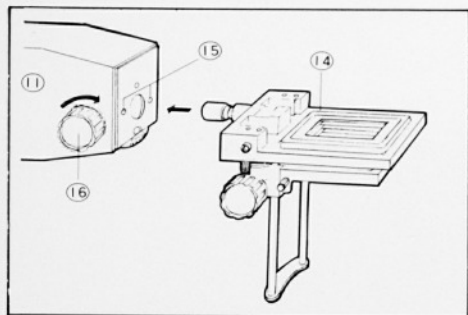


5. Loosen Elevation Control (12) and insert Carriage (11) on to the column.

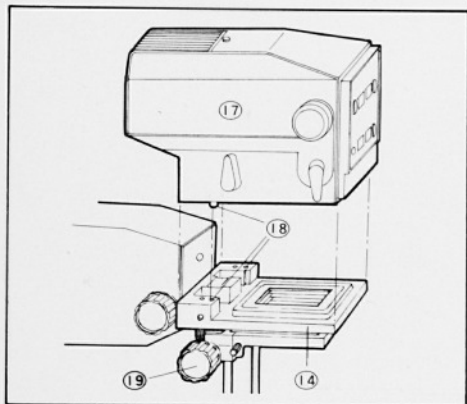


6. Hook the tip of Counter Balance Spring (13) on the column as shown. Slide the carriage down along the column about 10 CM and have it fixed there by tightening the elevation control. Put the Counter Balance Spring Screw back into position and tighten it with a coin. Replace the Column Top.

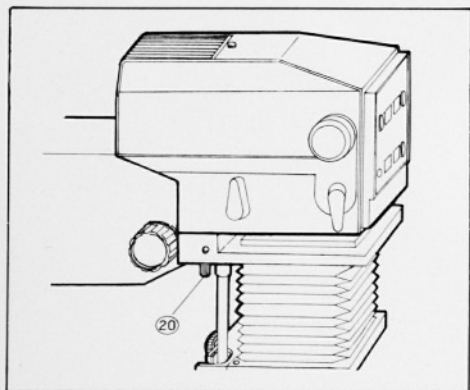
## BLOCK "C" ASSEMBLY - PART 1



- Put Bellows Assembly (14) into the Carriage (11) as shown. Guiding pins on the Bellows Assembly fit into holes (15) in the Carriage. Tighten Lamphouse Fixing Knob (16).

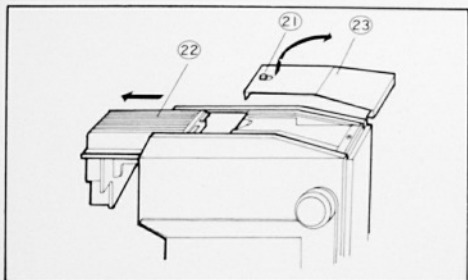


- Place Colour Lamphouse (17) on the Bellows Assembly (14) as shown. Guiding Pins in the Lamphouse (18) will match the holes in the Bellows Assembly.

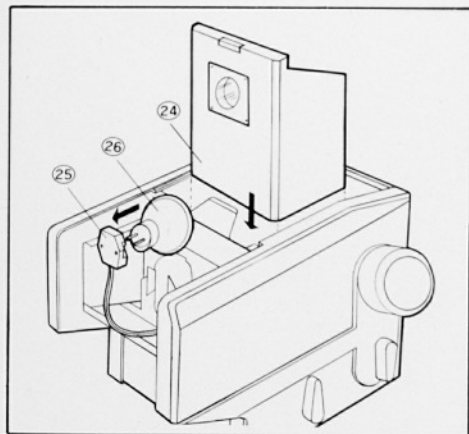


- Tighten Lamphouse Fixing Screws with a coin.

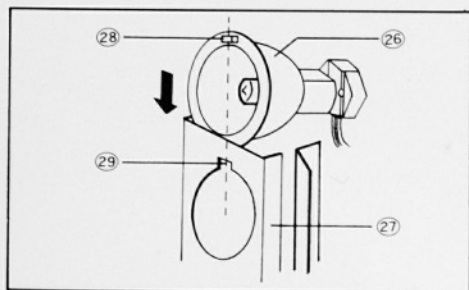
## BLOCK "C" ASSEMBLY—PART 2



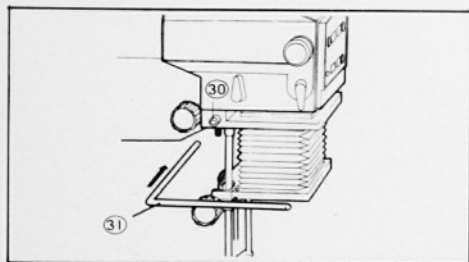
10. Separate and remove Top Front Panel (22) and Top Rear Panel (23) with a release button (21) as shown.



11. Set Mixing Chamber (24) in the Lamphouse as shown. Move the chamber lightly to confirm it is set in position. Draw out Lamp Socket (25) and set Quarts-Halogen Lamp (26) in the Lamp Socket.



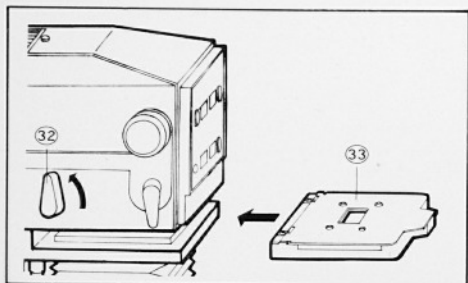
12. Set the Lamp (26) in the Bracket (27). See that a projection on the reflector of the lamp (28) fit into a Cut (29) in the Bracket (27). Replace the two Top Panels removed in para. 10 by reversing the process.



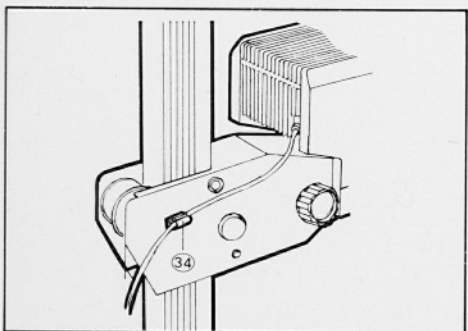
13. Set film hangers (30) into the holes (31) in Negative Carrier Stage.



## BLOCK "C" ASSEMBLY—PART 3



14. Turn Negative Carrier Holding Lever (32) upward as shown. Slide in Negative Carrier (32). Replace the lever to hold the negative carrier in place.

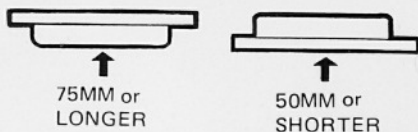


15. Tack Power Cord through Wire Clip (34) as shown.



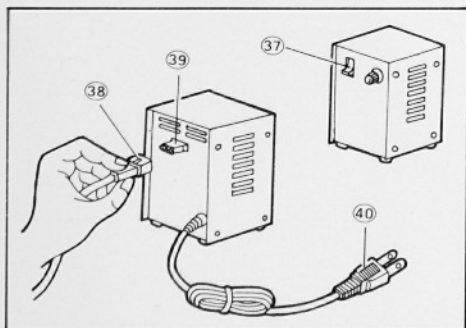
16. Loosen Lens Board Fixing Screw (35) to remove Lens Board (36) from Lens Stage. Fit an enlarging lens (not supplied with Enlarger) in the Lens Board and put the board back. Fitting of lens will be as below.

### SELECTION OF LENSBOARD SIDE

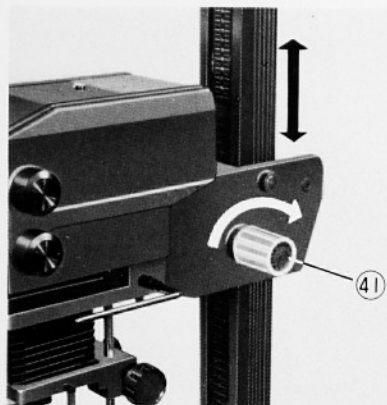


Try reverse side if the lens failed to focus.

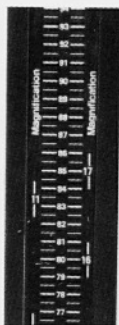
17. Make sure that ON/OFF SWITCH of the Power Supply is in "OFF" position. Connect the cord from Lamphouse to the plug in the Power Supply (39). Connect the power cord (40) to a mains socket.



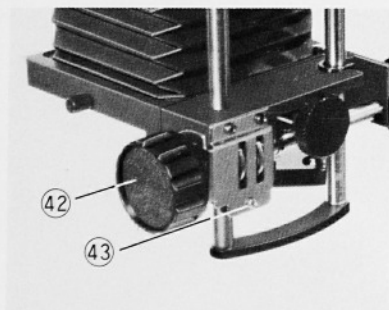
## OPERATION 1



1. Loosen Elevation control (41) to release the Carriage for sliding up and down along the column. Tighten when position is decided.



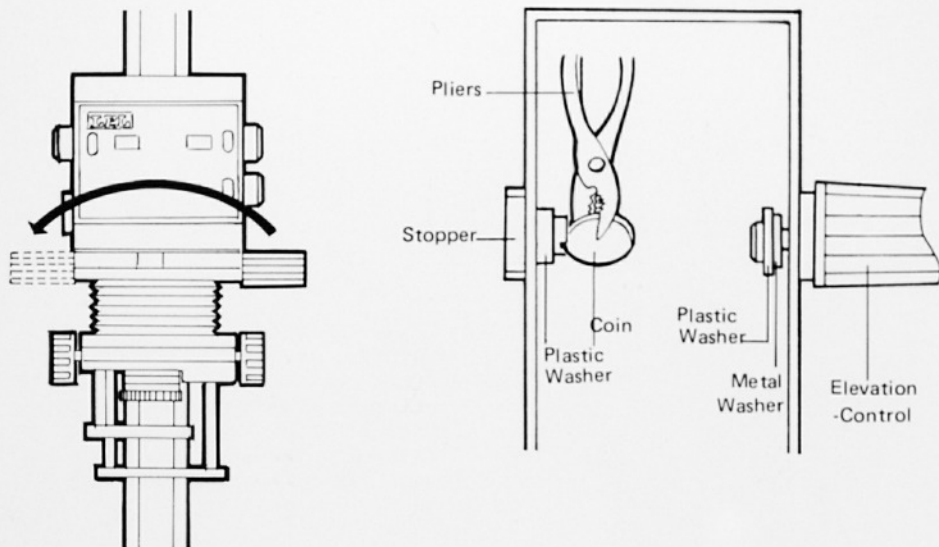
2. Magnification scale in front of the column indicates magnifications for both 50mm (left) and 75mm (right) lenses. Sequential figures in centre is for your reference.



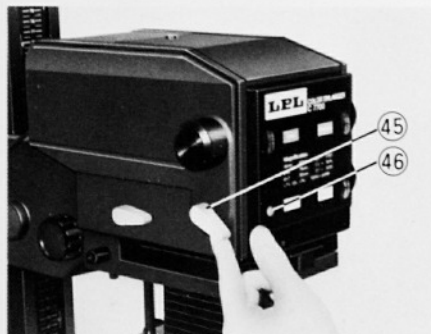
3. If movement of Focus Control (42) is too light (or too heavy, friction is adjustable by a Screw (43).

## OPERATION 2

4. Elevation Control may be installed on the left side if you so wish.  
First remove the Carriage for the Column, and then change side of the control as shown.

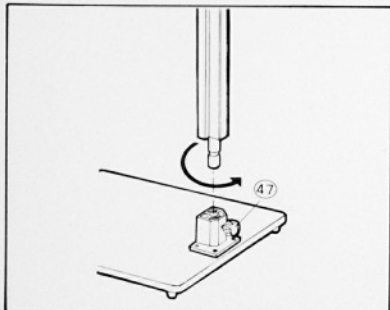


5. Use Filtration control for changing colour filtration.

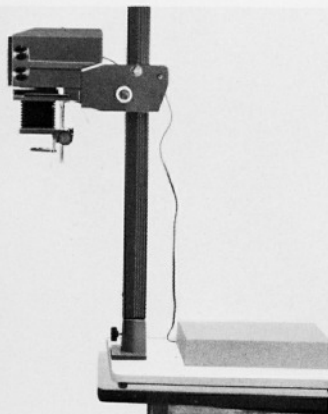


6. Filter Release Lever removes the filters out of the light path without changing set combinations of the filters and put them back into the light path again. When the filters are removed a window (46) in the front panel lights up to indicate "WHITE".

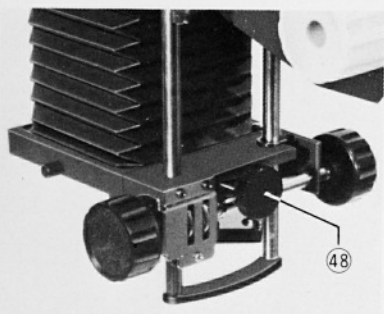
## OPERATION 3



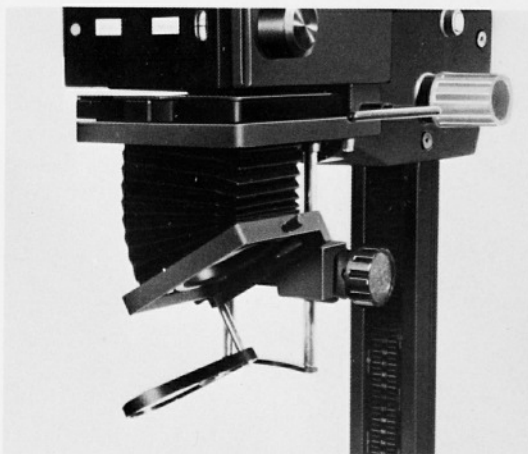
7. For enlargement of very large scale. The column revolves 180° to enable projection off the baseboard.



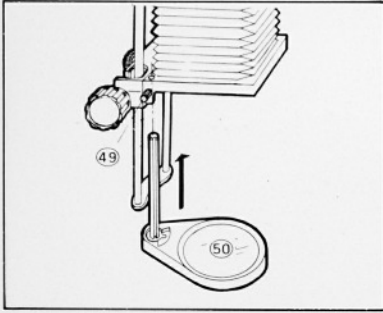
8. Put sufficient counter weight on the board.  
(WALL PROJECTION)  
Wall Projection is also possible for large-scale enlargement. Insert negative in the carrier first, then turn the head 90 degrees to horizontal position.  
DO NOT operate Negative Carrier Hoding Lever (32) while the head is placed horizontally, as the Mixing Chamber would not get back to right position.



9. In addition to tilting of the lamphouse for distortion control, the Lens Stage also tilts and shifts as shown. Loosen Lens-Stage Release Knob for Tilt/shift of the stage.

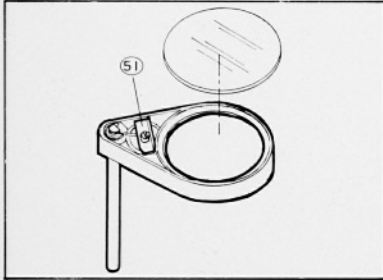


## OPERATION 4

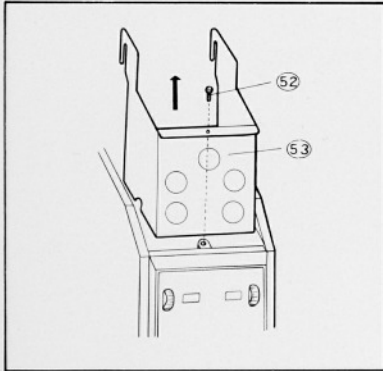


10. Loosen Red-Filter Holder Screw (45) and insert Red Filter Holder from below. Tighten the screw to set the red filter holder.

Red filter is provided for Black/White printing which is possible with all the filters retracted or with using some Cyan filters in.



11. The Red Filter holder also holds some other types of filters mainly for special effects in printing.



12. Illumination lamps in filtration control windows may be replaced from inside the lamphouse as shown.

## OPTIONAL ACCESSORIES

### 3231-00

#### Black/White Lamphouse

Easily replaceable with the Colour Lamphouse.



### 3231-20

#### Universal (Variable Size) Carrier.

Four-blade system, glasses or metal inserts of variable size can be used with it.



### 3241-23 ANTI-NEWTON RING GLASS 3241-22 GLASS PLATE



### METAL INSERTS FOR UNIVERSAL CARRIER

3241-36  
(35)

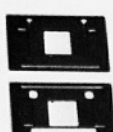
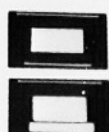
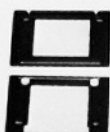
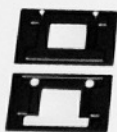
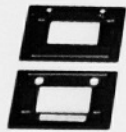
3241-37  
(5 × 5)

3241-38  
(4 × 4)

3241-32  
(126)

3241-34  
(18 × 24)

3241-30  
(110)



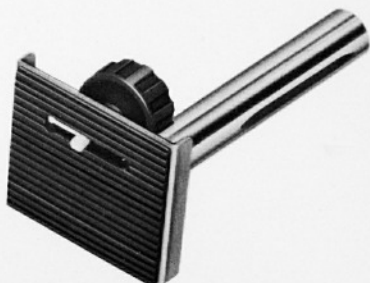


**3241-60**

**FINE-FOCUS CONTROL**

1:5 ration fine focusing.

Replaceable with the standard focus control.



**3241-80**

**Copying Camera Adapter.**

Replaceable with the head assembly to turn the enlarger into a copy-stand.

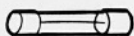
**5281-2**

**Quartz Halogen Lamp 12V 100W**



**5281-5**

**Power Supply Fuse 10A**

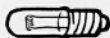


**3241-90**

**Dust Cover**

**5281-01**

**Illumination Lamp**



**LPL DARKROOM ACCESSORIES**



**5552 ENLARGING TIMER**

Solid state with illuminated controls. 0.2 - 70 sec.



**5412 Focus Viewer**

5552-1

**CONNECTING CABLE**

**LPL**



HIGASHIMURAYAMA PLANT



Manufactured by **LPL CO., LTD. TOKYO·JAPAN**

Printed in Japan