



ALTO LS COLOR FILM RECORDER

Agfa's Alto® LS color film recorder is designed to meet the most critical color requirements for presentation graphic, digital photo imaging, graphic arts, and scientific visualization applications that require high-quality images on negative or reversal film.

By combining the Alto LS with a personal computer, a color scanner, and image manipulation software, photographs can be digitally altered, retouched and combined with other photos, text, or graphic elements, and output to film to create a "second-generation" original, which can be delivered to your client as the finished product, or used to create an enlargement.

The Alto LS offers a wide variety of film formats. A pin-registered 35mm bulk film trans-

port can be added for high-volume slide production, or three different modules—4 x 5" and 8 x 10" film transports, or a 120/220 roll film transport, which eliminates the labor involved in imaging sheet film—can be added for graphic

arts and photographic applications. Alto LS supports camera modules from other manufacturers as well.

Optimum output

From high-volume to time-sensitive to top-quality projects, Alto LS meets the demands you are faced with. It can image a 35mm slide at 4K in as little as 30 seconds, and provide extremely crisp images with up to 8K addressability. Alto LS can output from Macintosh®, PC®, and UNIX® workstations using a variety of software packages. It provides sophisticated color and image controls that allow the user to fine-tune all aspects of its color response. Alto LS also provides controls to customize the film recorder's image size, position, and rotation to precisely match specific needs.

Convenient design

Alto LS allows you to quickly get into production—and maintain a high performance level. Color look-up tables for new film types and new film emulsions can be downloaded via diskette. Its unique sealed optical system virtually eliminates the need to reshoot images due to dust on the CRT. And for fast, easy service, the Alto LS provides a remote diagnostics capability to analyze problems and provide assistance directly over the telephone.

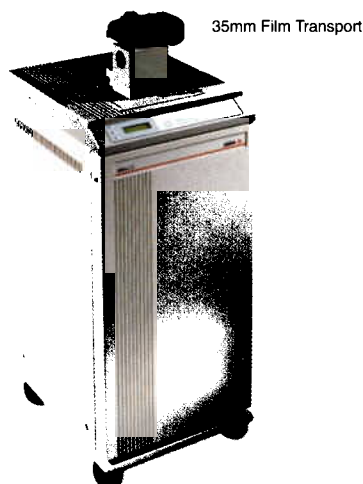
A film recorder for today—and tomorrow

The Agfa Alto LS offers the performance and quality required for today's most demanding imaging requirements. And it's designed for users to take advantage of new opportunities to create revenue and profits by pushing beyond presentation graphics applications into the exciting world of digital photo imaging.

AGFA 

The complete picture.

Product Specifications: Alto LS



Ease of use

Front Panel

- LCD Display—2 lines of 16 Characters (backlit)
- LED Status display
- Push button menu system with user selectable features:
 - Color control
 - Film transport
 - Module geometry
 - Interface control
 - Date/time
 - Save External Lut (permanently saves external Look-Up Tables)
 - Tag line control (writes resolution, time/date color corrections and message tag between the film sprockets)
 - Message tag (writes message between sprockets)
 - Diagnostics (routine service)
 - Auto notching (1-99 frames)
 - Advance film
 - Rewind film
 - Image counter
 - Load/Unload film
 - Test patterns

Film Types

Alto LS supports film types from Agfa and other film manufacturers. Agfa's LutGen (Look-Up Table Generator) software is used to calibrate the greyscale of each film type supported.

Color Control

Exposure Table Control of:

- Intensity
- Brightness (RGB channels)
- Contrast (RGB channels)
- Highlights (RGB channels)
- Shadows (RGB channels)
- Gamma

Professional Marketing Services, Inc.
4802 East Ray Road, Suite #2328
Phoenix, AZ 85044-6417
P: 480-940-5400 F: 480-940-5488
Email: pmsi@promarketinc.com
Web Site: www.promarketinc.com

Image Quality

(horizontal / vertical resolution)

35mm module (3:2 aspect ratio):

2,048 x 1,366 pixels at 2K

4,096 x 2,732 pixels at 4K

8,192 x 5,464 pixels at 8K

120/220, 4x5", 8x10" module (4:3 aspect ratio):

2,048 x 1,536 pixels at 2K

4,096 x 3,072 pixels at 4K

8,192 x 6,144 pixels at 8K

(12 Bits of color modulation per primary color)

Hardware Compatibility

Interfaces

SCSI: ANSI X3.131-1986

IEEE: 488-1978 (GPIB)

RS 232 for status, remote diagnostics, firmware upgrade and extended user features

Throughput

IEEE net Transfer rate: 300 KB/sec.

SCSI net transfer rate: 3 MB/sec.

Minimum time for imaging: 35mm slide at 4K resolution: 30 seconds

(Imaging time excludes rasterization time and is dependent on file size and workstation configuration)

PC environment

Compatible with all PC types supporting standard IEEE and SCSI interfaces (additional software driver is required)

MAC environment

Compatible with all Macintosh and Power Mac models (Agfa Conductor™ software or additional software driver is required)

UNIX environment

Compatible with all UNIX workstations supporting standard IEEE and SCSI interfaces such as SUN, SGI, IBM, etc. (additional software driver is required)

(Contact your dealer or Agfa representative for a full list of software drivers)

Available Film Transports

35mm 36 exposure cassette

35mm bulk loader, 750 exposure 100' pin registered

120/220 roll film

4 x 5" sheet film

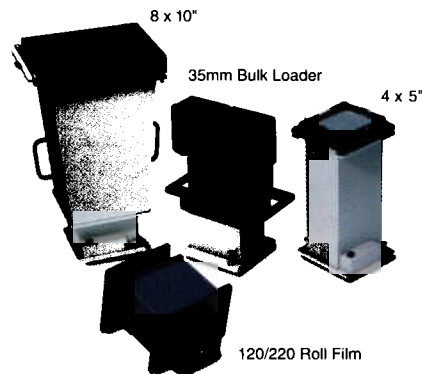
8 x 10" sheet film

(Additional film transport formats are available from third-party manufacturers)

Optional Color Management Software

Agfa FotoTune™ color management software for consistent colors from input to output. FotoTune uses an ANSI IT8 color target to calibrate the different colorimetric distributions of input and output devices to ensure color consistency between original and reproduced transparency.

FILM TRANSPORTS



AGFA and the Agfa rhombus are registered trademarks of Agfa-Gevaert AG. Alto is a registered trademark and FotoTune and Conductor are trademarks of Agfa Division, Miles Inc. Macintosh is a registered trademark of Apple Computer, Inc. PC is a registered trademark of International Business Machines Corporation. UNIX is a registered trademark of ATT Bell Laboratories.

All product specifications are subject to change without notice. The appearance of equipment ordered may differ from that of equipment shown in photographs.

Copyright © 1994 by Agfa Division, Miles Inc.
All rights reserved.

AGFA 

The complete picture.